

Hose Boom^{10'}



Dry Wheel Package • Part Circle Rotator-Specific Boom!

Why use more Boom than necessary?

With a Part-Circle Rotator spraying 180° behind the tower
10' Offset is all you need.

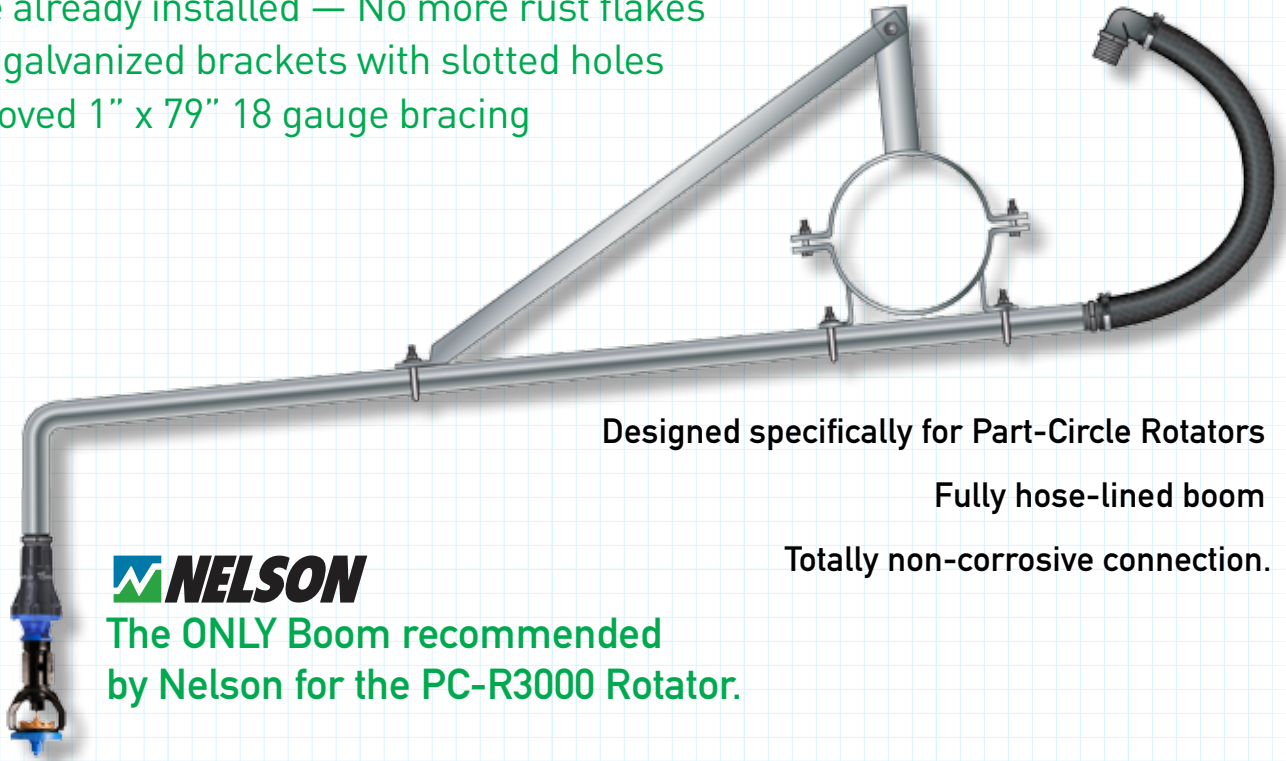
11.75' of 17 gauge galvanized tubing means a full 10' of offset

Unique Torque Clip and Side Force Control Fitting

Hose already installed — No more rust flakes

New galvanized brackets with slotted holes

Improved 1" x 79" 18 gauge bracing



Designed specifically for Part-Circle Rotators

Fully hose-lined boom

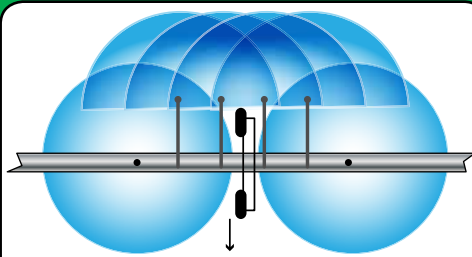
Totally non-corrosive connection.



The **ONLY** Boom recommended
by Nelson for the PC-R3000 Rotator.

OPTIONS

- Clamp diameters: 3", 4", 4-1/2", 5", 5-9/16", 6", 6-5/8", 8", 8-5/8", 10"



DIRECTION OF TRAVEL
4 BOOMS PER TOWER – 10' SPACING

Installing PC-R3000 Rotators on Hose Booms minimizes wheel tracking issues and maximizes the effectiveness of part-circle devices as compared to mounting on straight drops. Featuring built-in dampening and directional control, the side force associated with part-circle sprinklers is absorbed for system stability and extended wear life. A typical application is to install 4 booms per tower with 10 foot spacing.

"Innovative Irrigation Solutions"

BOOMBACKS