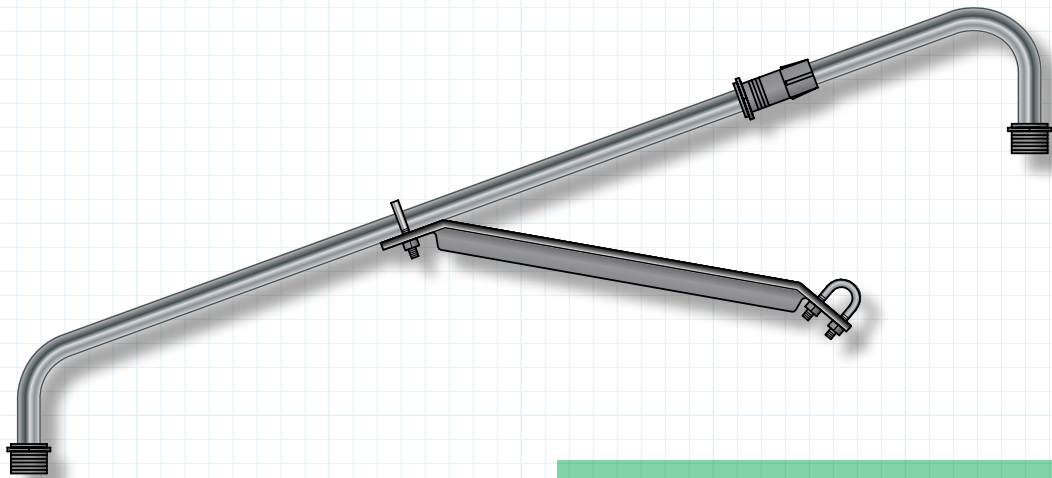


IACO Offset

Minimum Cost – Maximum Performance

The IACO Offset is a minimalist design. Specifically designed to minimize the amount of parts necessary to accomplish the goal. Minimum cost and maximum performance add up to an economical solution. The IACO Offset is the inexpensive answer you've been looking for.



OPTIONS

- 10' Offset Boom (custom lengths upon request)
- Boom end fittings: 3/4" male or 3/4" female