



BOOMBACKS

By

IACT

IRRIGATION ACCESSORIES COMPANY



Download a free QR Code Reader  
on your smart phone and scan  
this code to learn more or go to:  
[www.boombacks.com](http://www.boombacks.com)

“Innovative Irrigation Solutions”

Serving the agricultural irrigation industry since 1962,  
IACO also offers custom manufacturing and machining  
for industrial applications.

Dealer and OEM accounts worldwide.



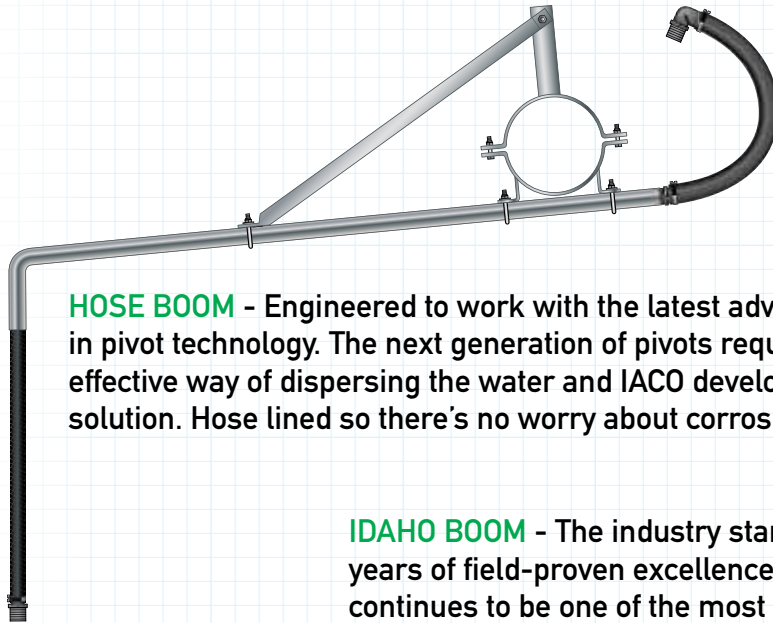
2012 marked our 50th year in business! We are honored to continue the legacy noted inventor Bill Stout began all those years ago. We continue to innovate and bring new products to the marketplace such as the Hose Boom line and, specifically, the Hose Boom 10' – the only Boom Nelson recommends for the Part-Circle Rotator. Innovative Boom Technology has successfully conserved water, increased yields, increased crop quality and uniformity while practically eliminating run-off.

Bill Stout founded Irrigation Accessories on the principles of innovation, customer service and quality. We strive to keep that spirit alive everyday.



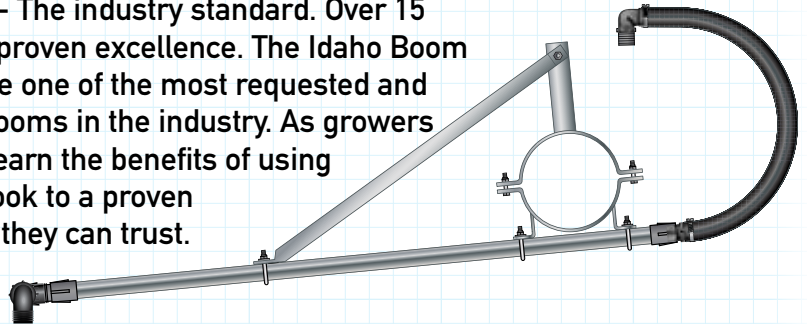
# IACO Booms

Over Fifteen Years Of Proven Performance.

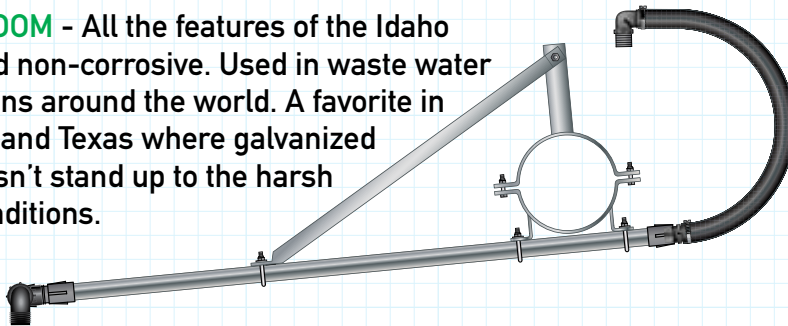


**HOSE BOOM** - Engineered to work with the latest advances in pivot technology. The next generation of pivots require an effective way of dispersing the water and IACO developed a solution. Hose lined so there's no worry about corrosion.

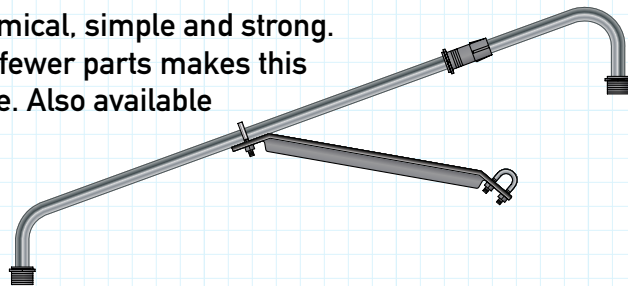
**IDAHO BOOM** - The industry standard. Over 15 years of field-proven excellence. The Idaho Boom continues to be one of the most requested and widely used booms in the industry. As growers and farmers learn the benefits of using booms, they look to a proven manufacturer they can trust.



**ALUMI BOOM** - All the features of the Idaho Boom and non-corrosive. Used in waste water applications around the world. A favorite in Australia and Texas where galvanized steel doesn't stand up to the harsh water conditions.



**IACO OFFSET** - Economical, simple and strong. Easy installation with fewer parts makes this boom a popular choice. Also available in Aluminum.



"Innovative Irrigation Solutions"

BOOMBACKS



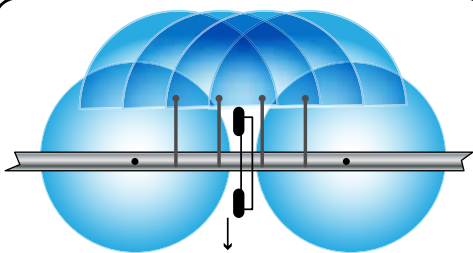
# Dry Wheel Track Solution.



## Hose Booms and Nelson Part-Circle Rotators

### Putting water in its place!

To learn more about the many benefits of boombacks and to see the complete line of IACO booms go to [www.boombacks.com](http://www.boombacks.com). You can view videos, download fliers and catalogs or contact us directly.



DIRECTION OF TRAVEL  
4 BOOMS PER TOWER - 10' SPACING

# Hose Boom<sup>10'</sup>



Dry Wheel Package • Part Circle Rotator-Specific Boom!

Why use more Boom than necessary?

With a Part-Circle Rotator spraying 180° behind the tower  
10' Offset is all you need.

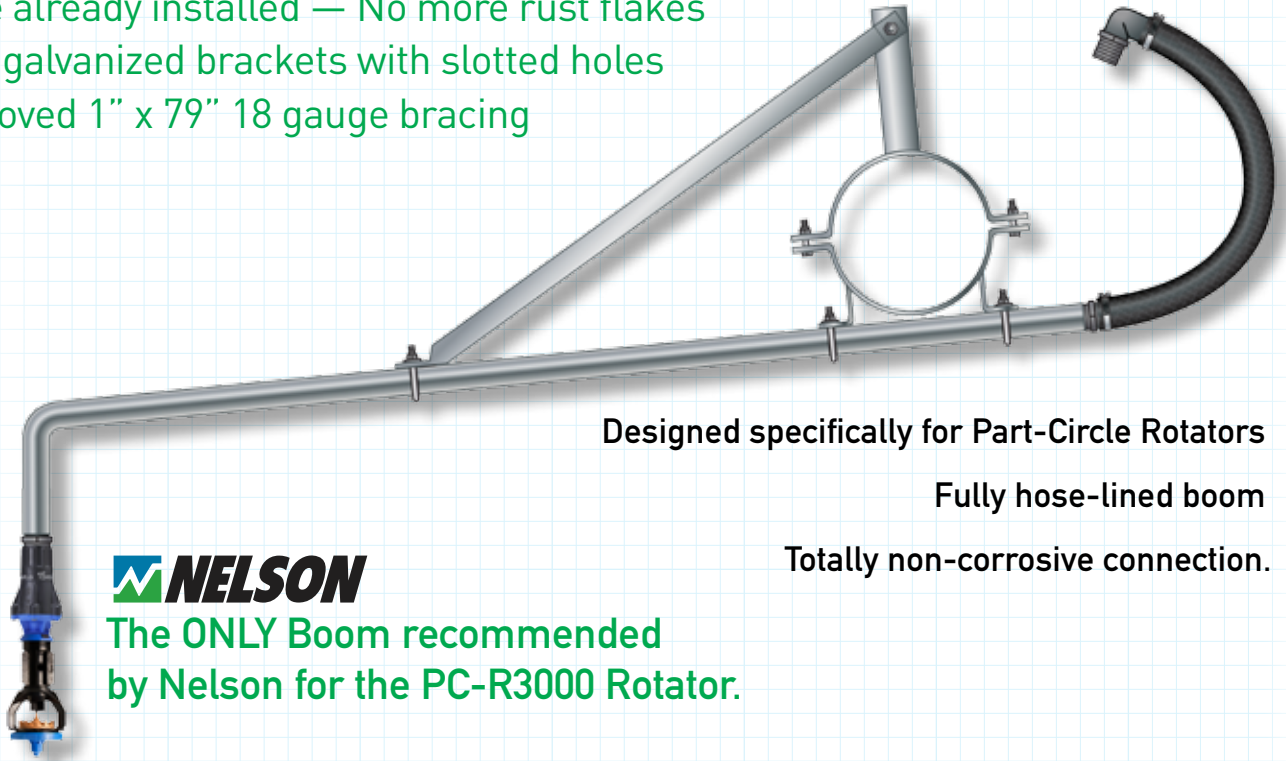
11.75' of 17 gauge galvanized tubing means a full 10' of offset

Unique Torque Clip and Side Force Control Fitting

Hose already installed — No more rust flakes

New galvanized brackets with slotted holes

Improved 1" x 79" 18 gauge bracing



Designed specifically for Part-Circle Rotators

Fully hose-lined boom

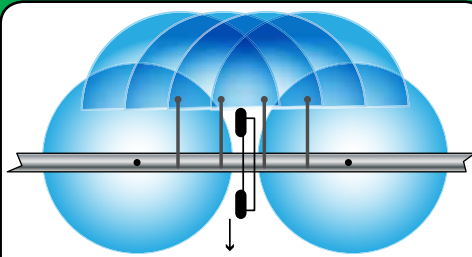
Totally non-corrosive connection.



The **ONLY** Boom recommended  
by Nelson for the PC-R3000 Rotator.

## OPTIONS

- Clamp diameters: 3", 4", 4-1/2", 5", 5-9/16", 6", 6-5/8", 8", 8-5/8", 10"



DIRECTION OF TRAVEL  
4 BOOMS PER TOWER – 10' SPACING

Installing PC-R3000 Rotators on Hose Booms minimizes wheel tracking issues and maximizes the effectiveness of part-circle devices as compared to mounting on straight drops. Featuring built-in dampening and directional control, the side force associated with part-circle sprinklers is absorbed for system stability and extended wear life. A typical application is to install 4 booms per tower with 10 foot spacing.

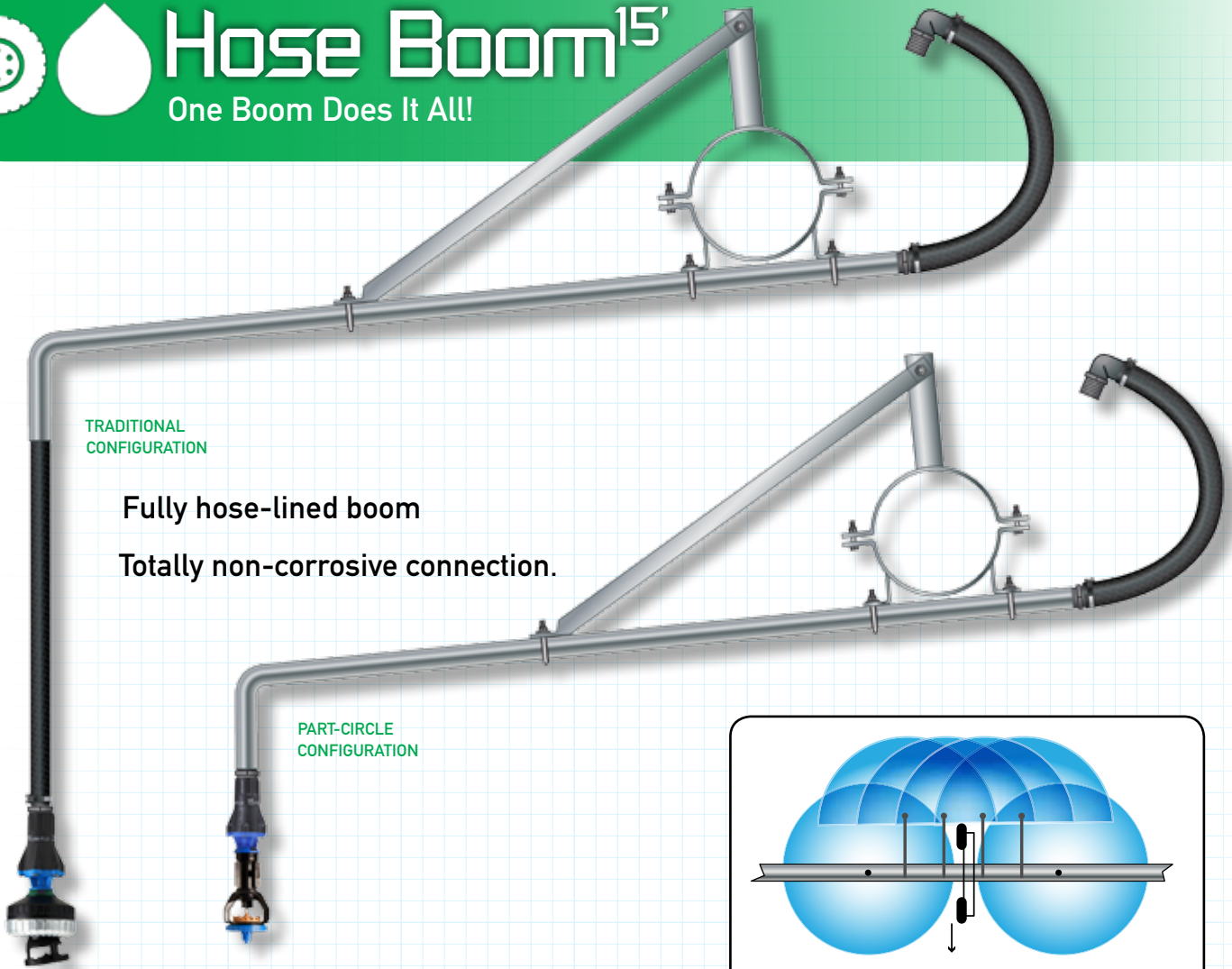
"Innovative Irrigation Solutions"

BOOMBACKS



# Hose Boom<sup>15'</sup>

One Boom Does It All!



TRADITIONAL CONFIGURATION

Fully hose-lined boom

Totally non-corrosive connection.

PART-CIRCLE CONFIGURATION

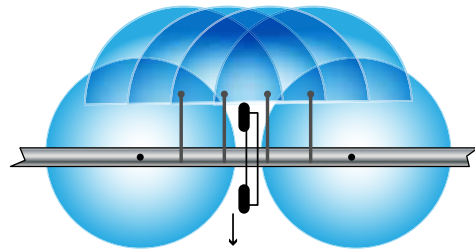


## OPTIONS

- Boom length to 15' ( custom lengths upon request )
- Clamp diameters: 3", 4", 4-1/2", 5", 5-9/16", 6", 6-5/8", 8", 8-5/8", 10"

## One Boom Does It All!

Whether you are using tried & true water dispersal units requiring a length of hose or the latest technology in part-circle units, the Hose Boom takes it in stride. Leave a length of hose hanging or pull it up close to absorb side force, the Hose Boom has built-in dampening to produce a uniform water pattern. The Hose Boom comes with 24' of hose already installed. Leave hanging for traditional sprays or trim off the excess for part-circle applications. Use the left-over for hose drops.

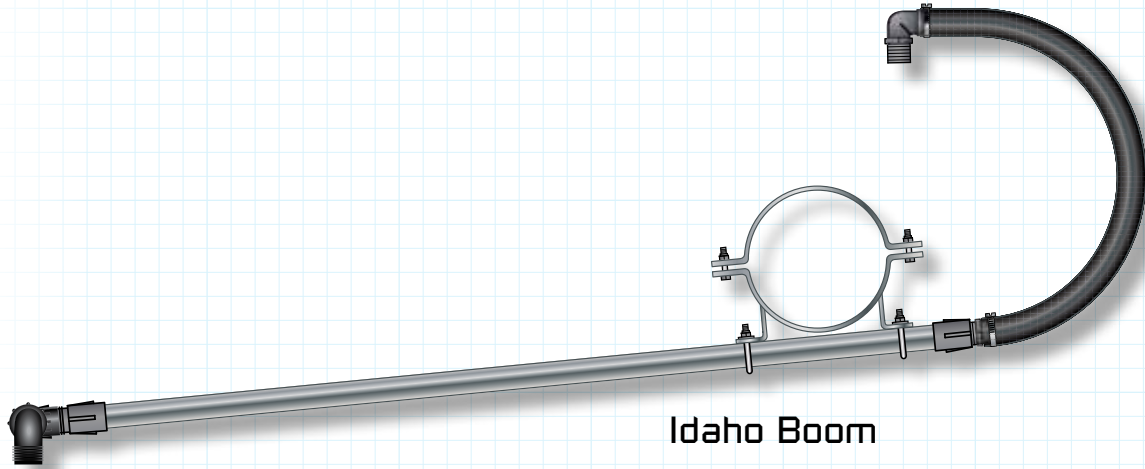


DIRECTION OF TRAVEL  
4 BOOMS PER TOWER – 10' SPACING

Installing part-circle sprinklers on Hose Booms minimizes wheel tracking issues and maximizes the effectiveness of part-circle devices as compared to mounting on straight drops. Featuring built-in dampening and directional control, the side force associated with part-circle sprinklers is absorbed for system stability and extended wear life. A typical application is to install 4 booms per tower with 10 foot spacing.

# Idaho Boom

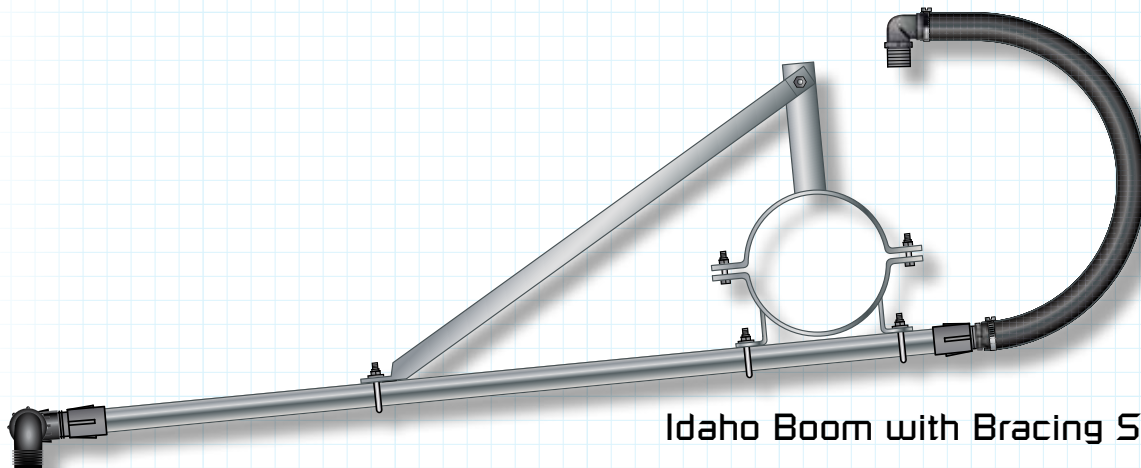
Galvanized Steel Tubing Booms. Over Fifteen Years Of Proven Performance.



Idaho Boom

## OPTIONS

- Boom length to 15' ( custom lengths upon request )
- Boom end fittings: 3/4" male or 3/4" female
- Clamp diameters: 3", 4", 4-1/2", 5", 5-9/16", 6", 6-5/8", 8", 8-5/8", 10"



Idaho Boom with Bracing System

## OPTIONS

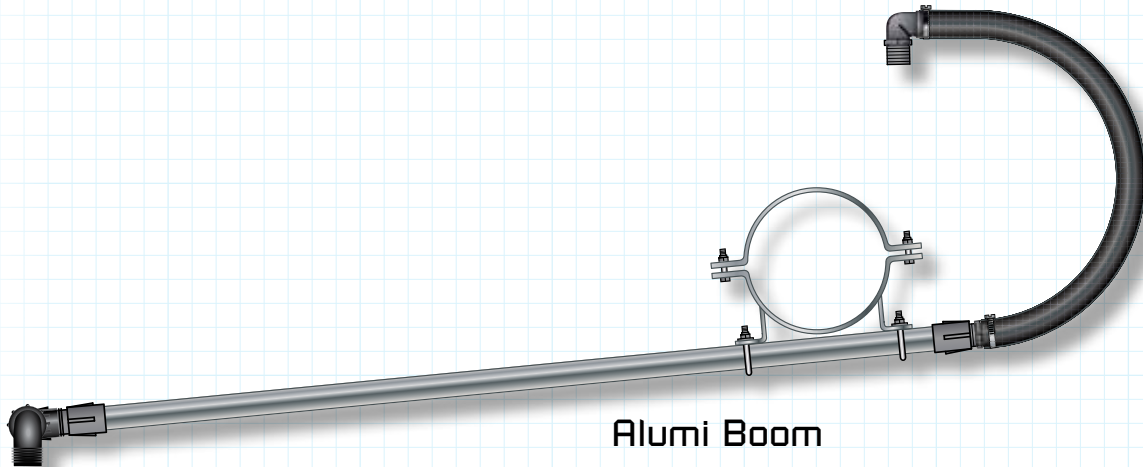
- Boom length to 15' ( custom lengths upon request )
- Boom end fittings: 3/4" male or 3/4" female
- Clamp diameters: 3", 4", 4-1/2", 5", 5-9/16", 6", 6-5/8", 8", 8-5/8", 10"

"Innovative Irrigation Solutions"

BOOMBACKS

# Alumi Boom

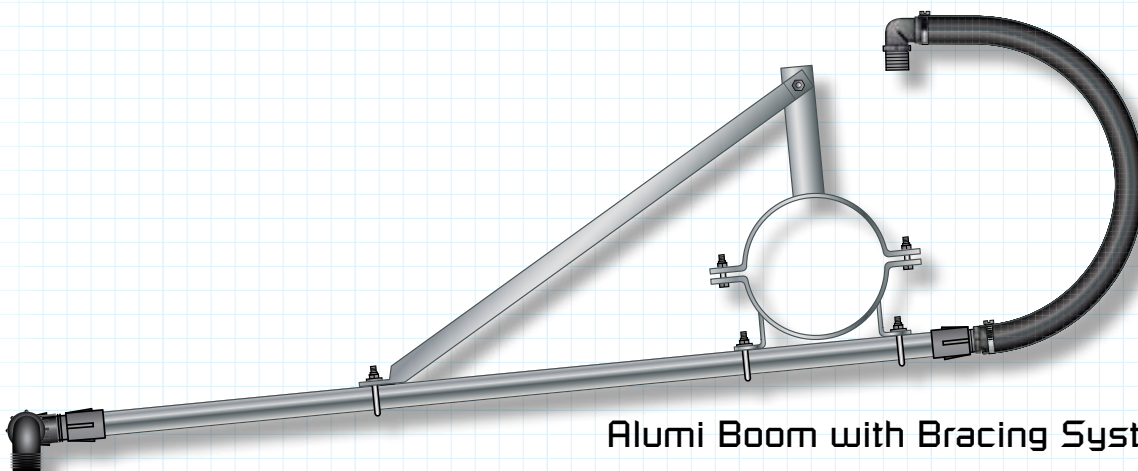
Aluminum Tubing Booms. Minimum Weight. Maximum Performance.



Alumi Boom

## OPTIONS

- Boom length to 12' ( custom lengths upon request )
- Boom end fittings: 3/4" male or 3/4" female
- Clamp diameters: 3", 4", 4-1/2", 5", 5-9/16", 6", 6-5/8", 8", 8-5/8", 10"



Alumi Boom with Bracing System

## OPTIONS

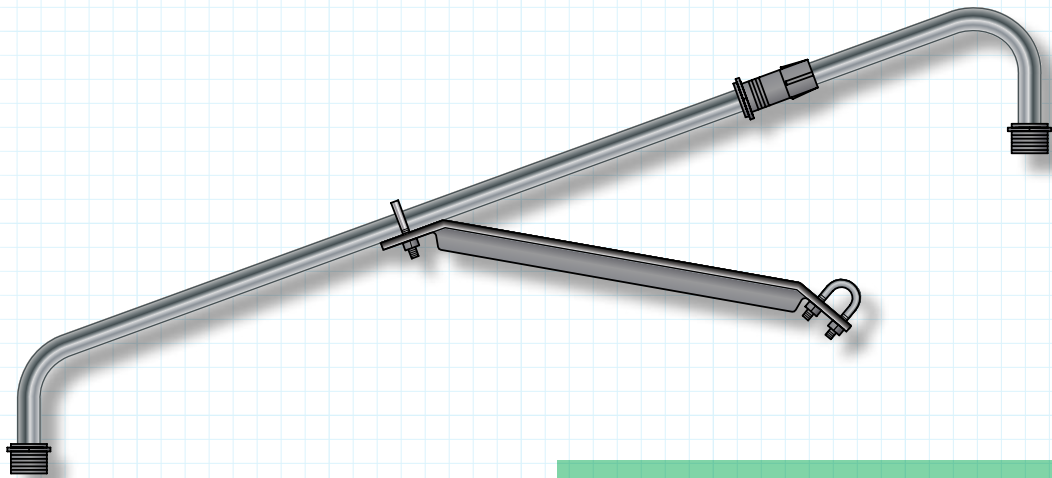
- Boom length to 15' ( custom lengths upon request )
- Boom end fittings: 3/4" male or 3/4" female
- Clamp diameters: 3", 4", 4-1/2", 5", 5-9/16", 6", 6-5/8", 8", 8-5/8", 10"



# IACO Offset

Minimum Cost – Maximum Performance

The IACO Offset is a minimalist design. Specifically designed to minimize the amount of parts necessary to accomplish the goal. Minimum cost and maximum performance add up to an economical solution. The IACO Offset is the inexpensive answer you've been looking for.

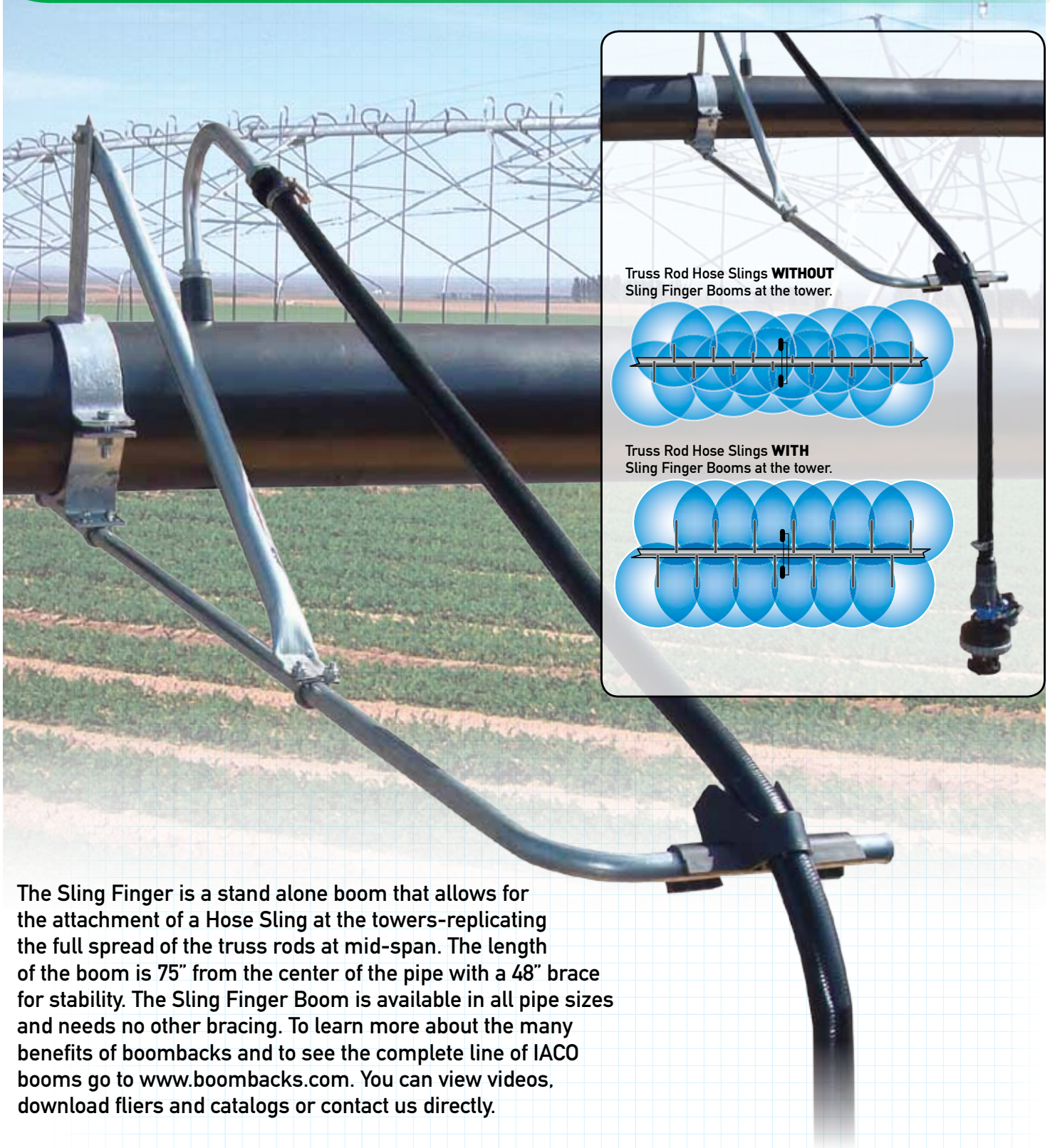


## OPTIONS

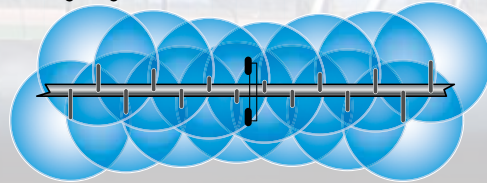
- 10' Offset Boom ( custom lengths upon request )
- Boom end fittings: 3/4" male or 3/4" female

# Sling Finger Boom

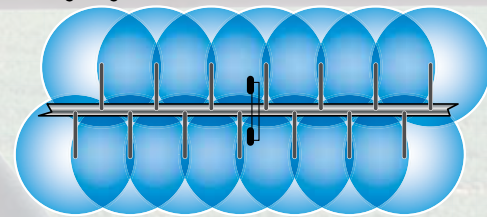
Putting Water In Its Place!



Truss Rod Hose Slings **WITHOUT** Sling Finger Booms at the tower.



Truss Rod Hose Slings **WITH** Sling Finger Booms at the tower.



The Sling Finger is a stand alone boom that allows for the attachment of a Hose Sling at the towers—replicating the full spread of the truss rods at mid-span. The length of the boom is 75" from the center of the pipe with a 48" brace for stability. The Sling Finger Boom is available in all pipe sizes and needs no other bracing. To learn more about the many benefits of boombacks and to see the complete line of IACO booms go to [www.boombacks.com](http://www.boombacks.com). You can view videos, download fliers and catalogs or contact us directly.

# Rigid Hose Drop

Any Sprinkler. Any Place!



Utilizing the same technology as the Hose Boom, the Rigid Hose Drop allows you to use a Nelson Part-Circle Rotator on a Poly-Lined machine.

The Side Force Control Fitting and Torque Clip provides exceptional vibration dampening and allows for simple directional placement of the spray pattern.



You have the option of putting the drop any place you desire. Simply use a longer or shorter supply hose.

Available in any traditional drop length. Keep the PC-R just below the truss rod or close to the crop.

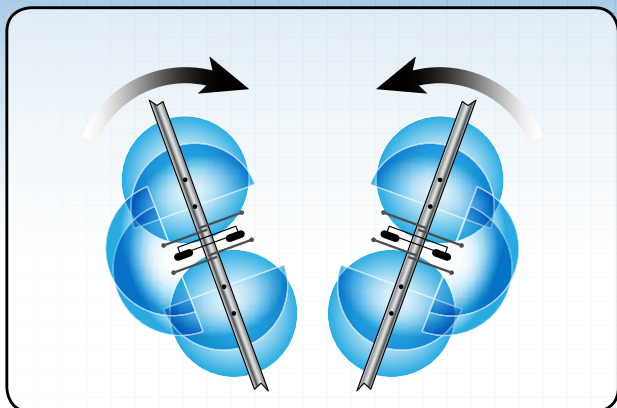
The unique drop angle and mounting bracket allows for a level sprinkler anywhere on the span.

The Rigid Hose Drop is available in all pipe sizes and needs no other bracing.



## OPTIONS

- Standard drop lengths 84" & 120" ( custom lengths upon request )
- Clamp diameters: 3", 4", 4-1/2", 5", 5-9/16", 6", 6-5/8", 8", 8-5/8", 10"



"Innovative Irrigation Solutions"

BOOMBACKS



# Innovative Boom Technology

Conservation Through Innovative Irrigation

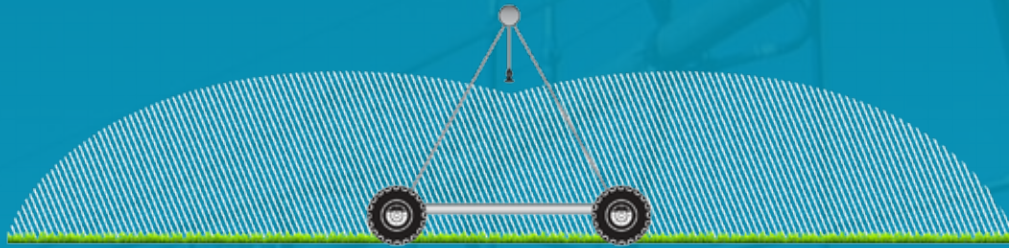
## Innovative Boom Technology vs Traditional Technology ( Flood, Handline ) \*

- 33% Water Savings
- 37% Increase In Yields
- Increased Crop Quality
- Increased Crop Uniformity
- Run-Off Practically Eliminated

\*Results may vary.

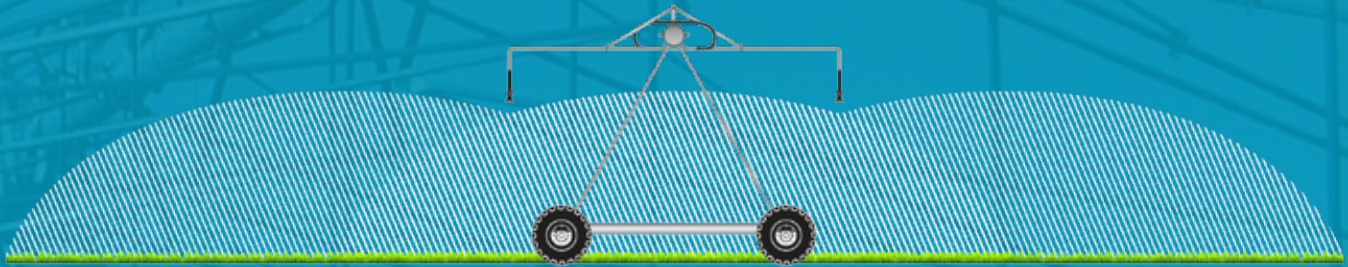
[www.boombacks.com](http://www.boombacks.com)

# DROPS TO BOOMBACKS COMPARISON

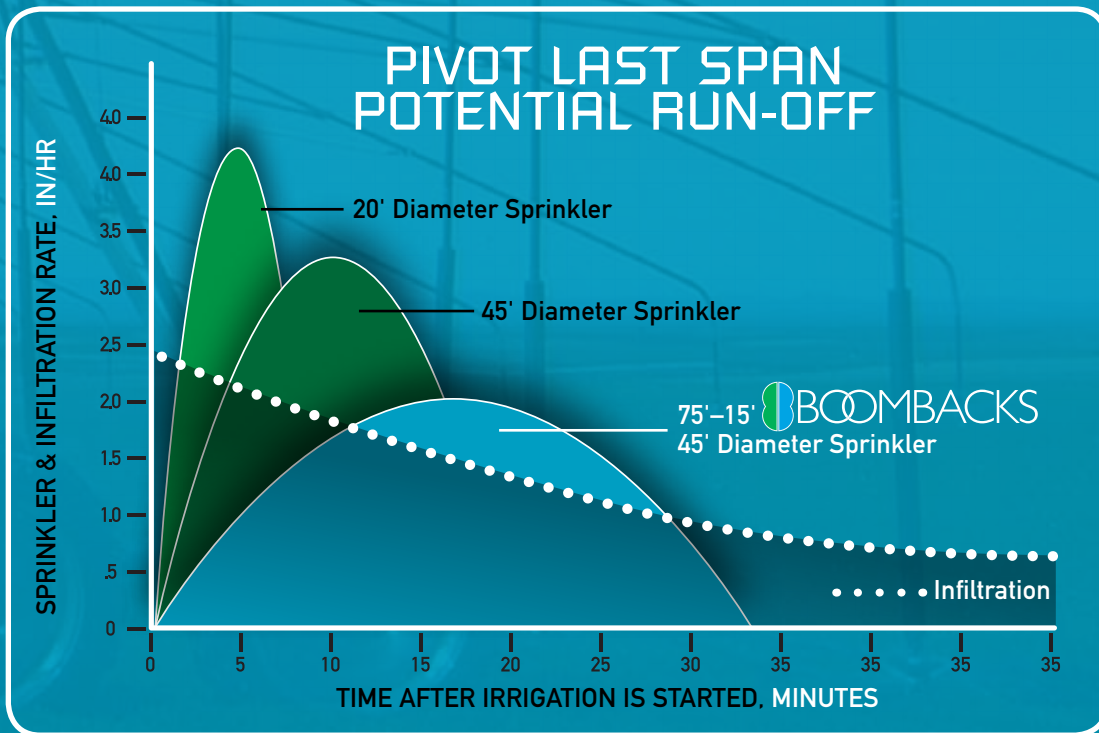


PIVOT WITH STANDARD DROPS

..... INCREASED SOAK TIME! .....



PIVOT WITH BOOMBACKS



Data courtesy of Howard Neibling of the University of Idaho



All products manufactured in Vancouver, Washington — USA



"Innovative Irrigation Solutions"